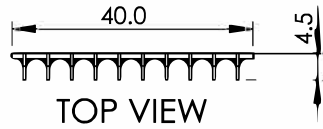
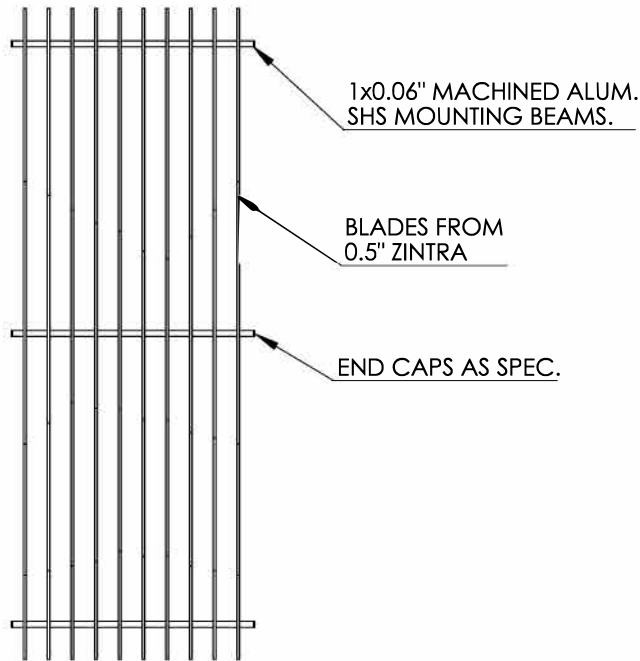


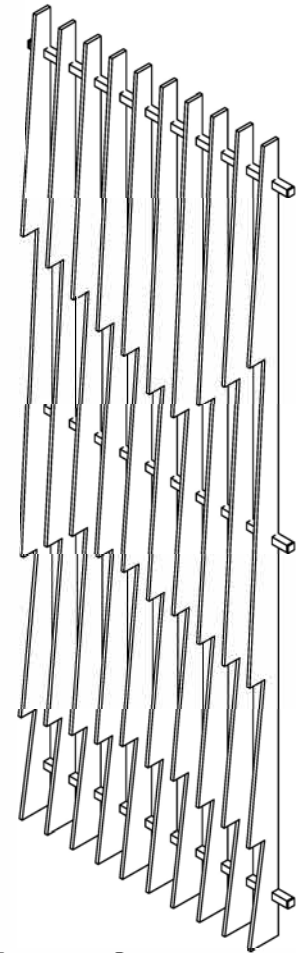
SIDE VIEW



TOP VIEW



FRONT VIEW



ISOMETRIC VIEW



Toll free 1.800.268.1300
 Sans frais 1.800.361.7881

PRODUCT

STD BLADE DWGS - USA

MATERIALS

0.5" ZINTRA
 HARDWARE AS SPECIFIED

DRAWN BY KIARA SPENCER-SMITH

SHEET TITLE

GA- BOLT 9' X 40"

DRAWING ISSUE

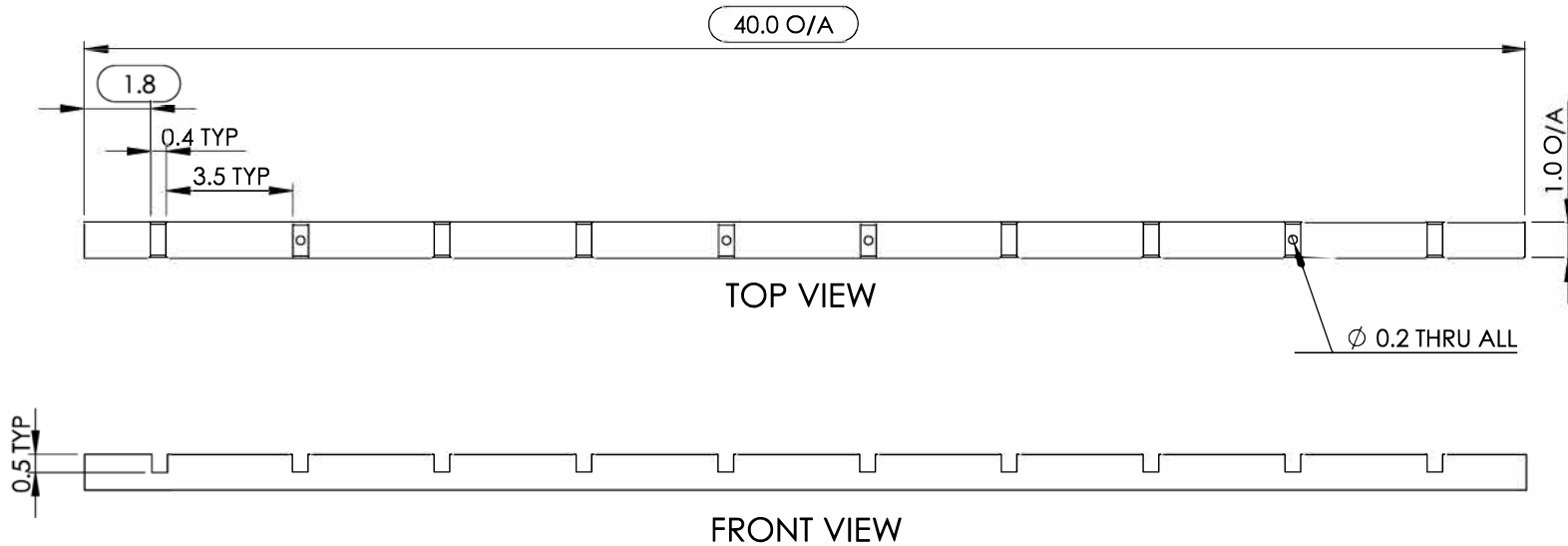
ISSUE D

CLIENTS APPROVAL

SIGNATURE DATE

PLEASE MAKE SURE THAT ALL DIMENSIONS
 AND INFORMATION MATCHES THE
 PROJECT AND SIGN FOR APPROVAL

client address product STD BLADE DWGS - USA
 order scale date 3/08/2016 Page: 1



MATERIALS

1x1x0.06" ALUMINIUM SHS
 MACHINED WITH SLOT & HOLE DETAIL.
 FINISH AS SPECIFIED.
 ALL MACHINED EDGES TO BE DEBURRED.
 DXF TO BE PROVIDED.



Toll free 1.800.268.1300
 Sans frais 1.800.361.7881

PRODUCT
 STD BLADE DWGS - USA

MATERIALS
 AS SPECIFIED.

SHEET TITLE
 SHS MOUNTING BEAM

DRAWING ISSUE
 ISSUE D

CLIENTS APPROVAL

SIGNATURE DATE

PLEASE MAKE SURE THAT ALL DIMENSIONS
 AND INFORMATION MATCHES THE
 PROJECT AND SIGN FOR APPROVAL

client address product STD BLADE DWGS - USA
 order scale date 3/08/2016 Page: 2